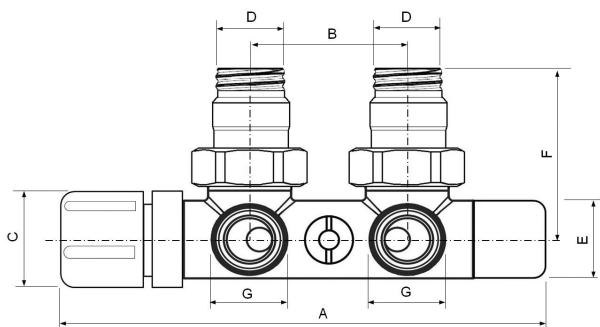


4010 - 4020

Valvola termostattizzabile monotubo / bitubo, interasse 50 mm versione destra
Eckthermostatventil Ein-/Zweirohr, 1/2"-Anschluss 3/4"EK. Mittenabstand 50 mm, rechte Ausführung
 Thermostatic single/double pipe valve, center distance connections 50 mm, right version

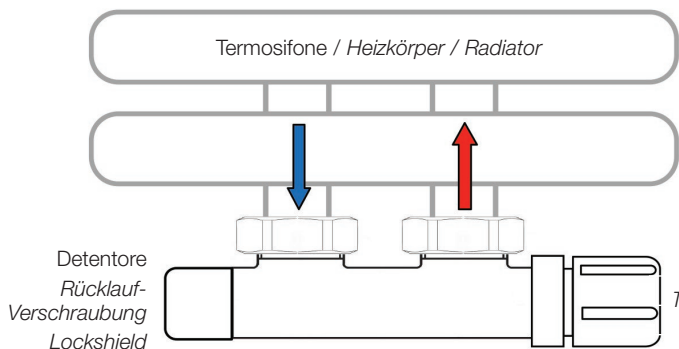
4011 - 4021

Valvola termostattizzabile monotubo / bitubo, interasse 50 mm versione sinistra
Eckthermostatventil Ein-/Zweirohr, 1/2"-Anschluss 3/4"EK. Mittenabstand 50 mm, linke Ausführung
 Thermostatic single/double pipe valve, center distance connections 50 mm, left version

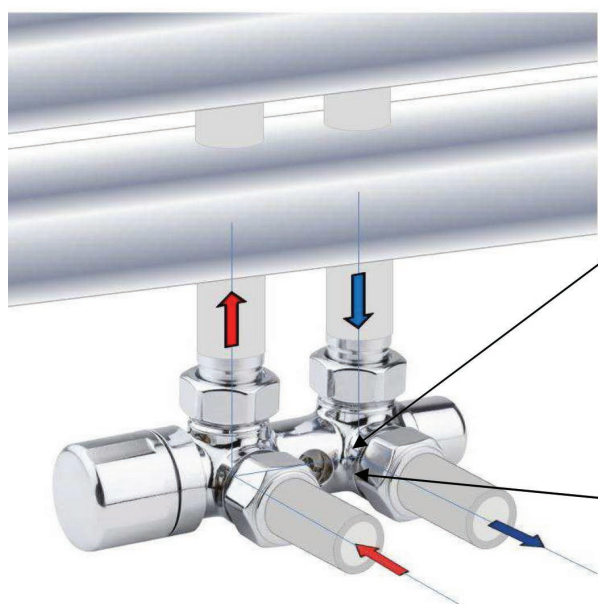
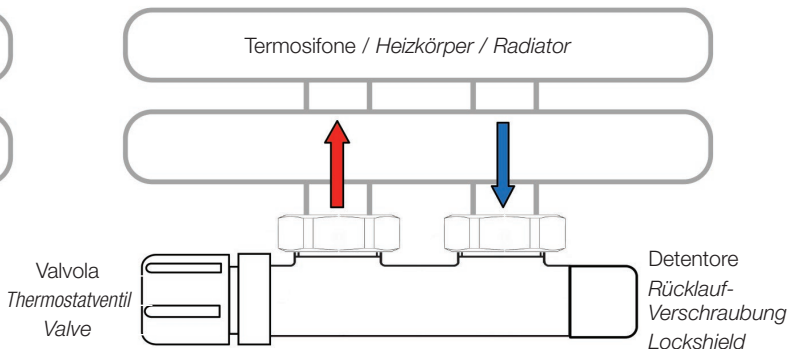


	D	A	B	C	E	F	G
401012	1/2"	153	50	34	26	52	fil. 24x19
402012	1/2"	153	50	34	26	52	3/4" EK

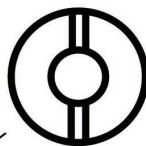
VERSIONE DESTRA
 RECHTE AUSFÜHRUNG
 RIGHT VERSION



VERSIONE SINISTRA
 LINKE AUSFÜHRUNG
 LEFT VERSION



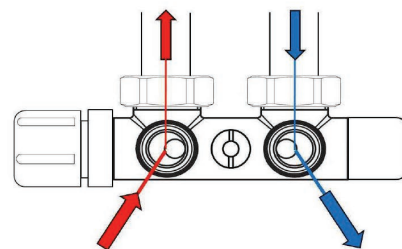
By-pass chiuso
 Bypass geschlossen
 Closed bypass



By-pass aperto
 Bypass geöffnet
 Opened bypass



VERSIONE BITUBO
 ZWEIROHR-VERSION
 DOUBLE PIPE VERSION



VERSIONE MONOTUBO
 EINZELROHR-VERSION
 SINGLE PIPE VERSION

